

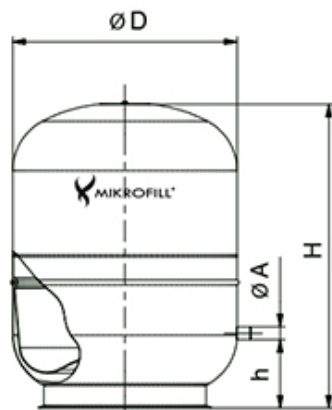


## EXPANSION VESSELS

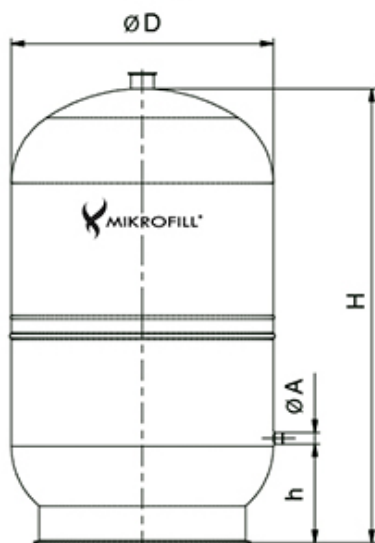
---

**For LTHW systems with a return temperature greater than 70°C, you may require an “intermediate” vessel. Please call our sales department on 03452 606020 for further information.**

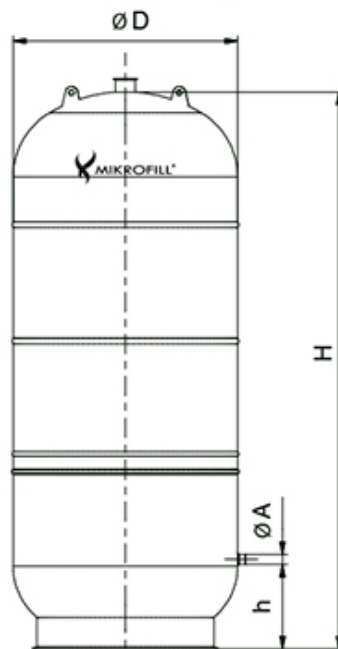
80-105-150-200-250-300 (L)



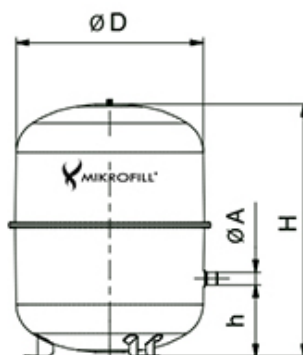
500 (L)



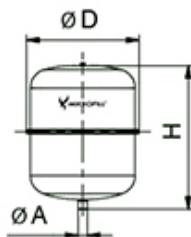
400-600-700-800-900 (L)



35-50 (L)



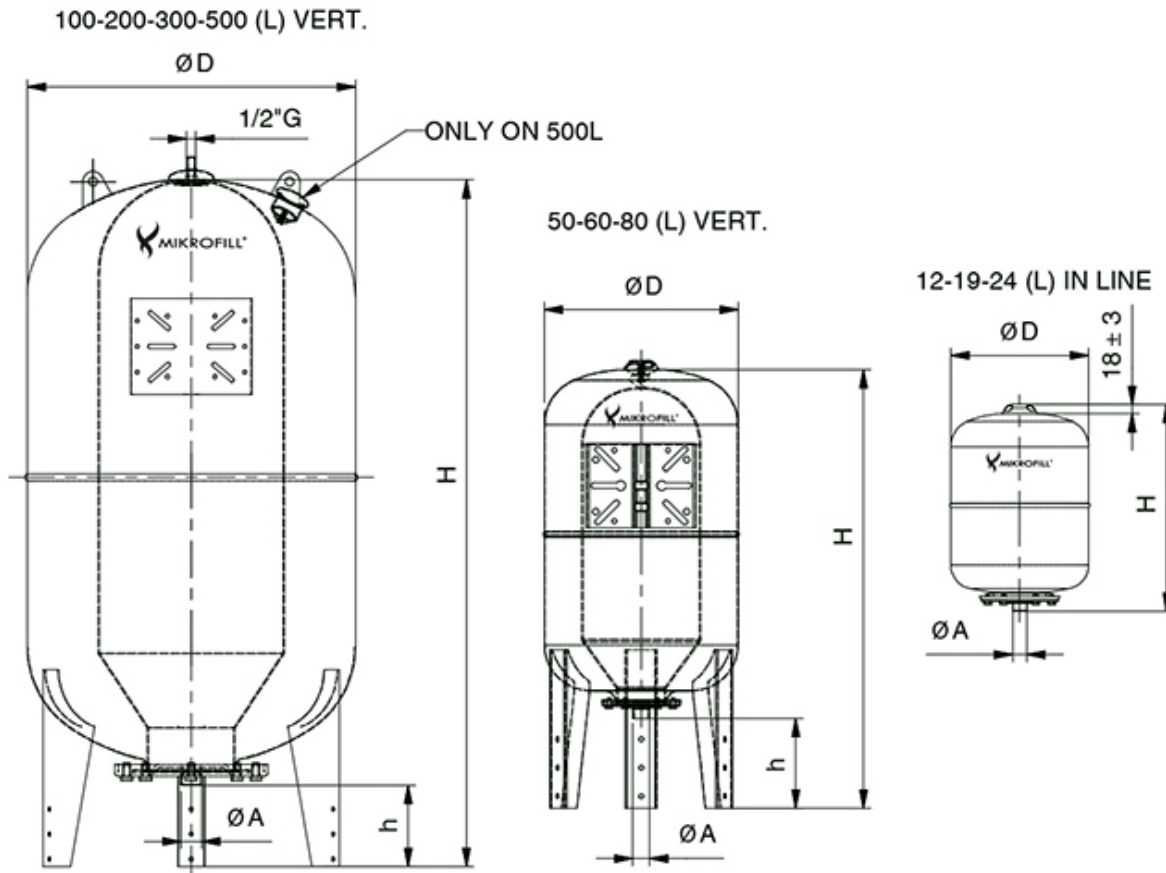
8-12-18-25 (L)



MikroPro					
Model	ø D (mm)	Height (mm)	h (mm)	A	Weight (kg)
<b>5 bar</b>					
MikroPro 8/5	220	295		3/4"	2
<b>4 bar</b>					
Model	ø D (mm)	Height (mm)	h (mm)	A	Weight (kg)
<b>5 bar</b>					
MikroPro 8/5	220	295		3/4"	2
<b>4 bar</b>					
MikroPro 12/4	294	281		3/4"	3.6

MikroPro 18/4	290	400		3/4"	4.4
MikroPro 25/4	324	415		3/4"	5.2
MikroPro 35/4	404	387	119	3/4"	7.7
MikroPro 50/4	407	507	157	3/4"	10.1
<b>6 bar</b>					
MikroPro 80/6	450	608	150	3/4"	15.4
MikroPro 105/6	500	665	165	3/4"	20
MikroPro 150/6	500	897	216	3/4"	25
MikroPro 200/6	600	812	225	3/4"	30
MikroPro 250/6	630	957	245	3/4"	41
MikroPro 300/6	630	1105	245	3/4"	46
MikroPro 400/6	630	1450	245	3/4"	65.5
MikroPro 500/6	750	1340	290	1"	70
MikroPro 600/6	750	1555	290	1"	86
MikroPro 700/6	750	1755	290	1"	96
MikroPro 800/6	750	1855	290	1"	114.5
MikroPro 900/6	750	2105	290	1"	130.3
294	281		3/4"	3.6	
MikroPro 18/4	290	400		3/4"	4.4
MikroPro 25/4	324	415		3/4"	5.2
MikroPro 35/4	404	387	119	3/4"	7.7
MikroPro 50/4	407	507	157	3/4"	10.1
<b>6 bar</b>					
MikroPro 80/6	450	608	150	3/4"	15.4
MikroPro 105/6	500	665	165	3/4"	20
MikroPro 150/6	500	897	216	3/4"	25
MikroPro 200/6	600	812	225	3/4"	30
MikroPro 250/6	630	957	245	3/4"	41
MikroPro 300/6	630	1105	245	3/4"	46
MikroPro 400/6	630	1450	245	3/4"	65.5
MikroPro 500/6	750	1340	290	1"	70
MikroPro 600/6	750	1555	290	1"	86

MikroPro 700/6	750	1755	290	1"	96
MikroPro 800/6	750	1855	290	1"	114.5
MikroPro 900/6	750	2105	290	1"	130.3



MikroPro XP					
Model	ø D (mm)	Height (mm)	h (mm)	A	Weight (kg)
<b>10bar / 70°</b>					
MikroPro XP 12	270	310		3/4"	3.6
MikroPro XP 19	270	410		1"	4.3
MikroPro XP 24	270	485		1"	4.9
MikroPro XP 50	380	770	180	1"	13.5
MikroPro XP 60	380	860	170	1"	15.5
MikroPro XP 80	450	830	153	1"	17.5
MikroPro XP 100	450	910	153	1"	21
MikroPro XP 200	550	1235	210	1 1/2"	46
MikroPro XP 300	630	1365	188	1 1/2"	57.7

