

Double walled tanks for domestic hot water production and storage

(with option for electric heating)

Models: GI-60...500-D

Description

A double-walled tank for domestic hot water production and storage, with capacities from 60 to 500 litres.

Made of AISI-316, chemically descaled and passivated stainless steel. ST-37-2 steel casing (as per DIN 17100) for the production of D.H.W., by means of indirect heating by a boiler, solar panel, heat pump or electric heating element.

Thermally insulated with CFC-free, mould-injected rigid polyurethane foam. The whole range is designed for vertical or horizontal installation and for wall installation for the models from 60 to 150 litres.

The tank includes a "K" type control panel (page 33) and blank flange so that an electric heating element can be fitted.

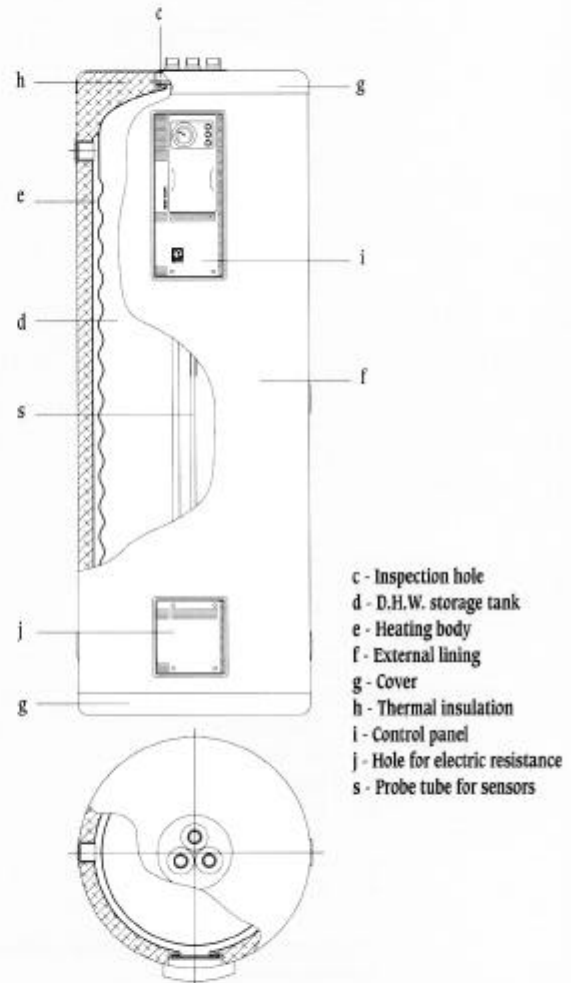
For electric heating, all that is needed is an electric element which is supplied with the necessary power leads so that it can be connected up to the "K" control panel which is supplied totally wired up and has all the necessary regulating controls.

The electric heating element should be fitted under the secondary stainless steel tank in the primary water. This means that there is no possibility of scale forming on the heating element or it being corroded by the secondary water.

Supply

The tank is supplied totally finished, tested and with all the components mounted (sensors, regulating elements, primary circuit purger, etc.). On the outside the tank has a padded lining of polypropylene sheeting in RAL white 9016 (other colour options: RAL 2004 orange or RAL 5015 blue) and covers in injected polypropylene, in RAL 7021 anthracite grey.

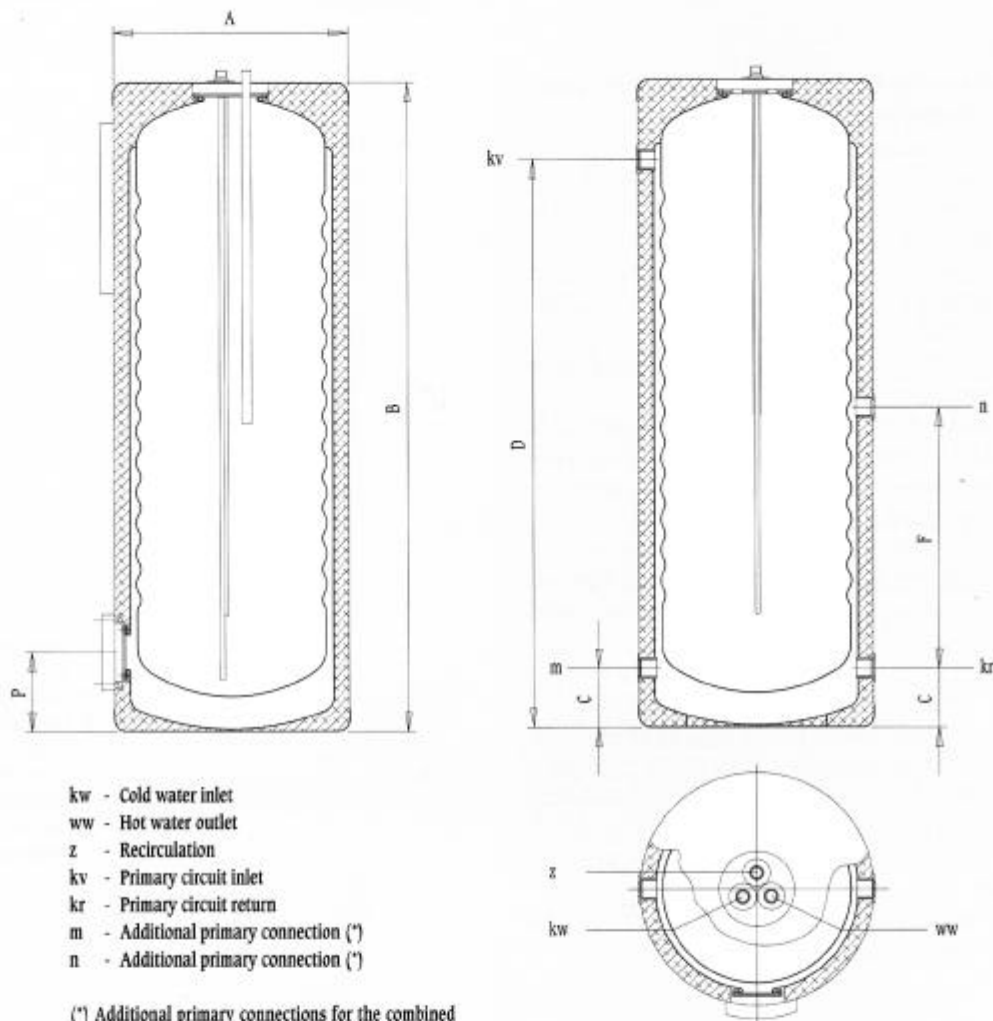
The equipment is packed in a reinforced cardboard box with a wooden frame and on a non-returnable pallet (see page 59).



Technical characteristics	(Model)	GI-60-D	GI-100-D	GI-150-D	GI-200-D	GI-300-D	GI-500-D
D.H.W. capacity	(L.)	55	94	146	193	285	466
Heating body capacity	(L.)	22	30	41	56	65	108
Max. working temperature in primary circuit	(°C)	110	110	110	110	110	110
Max. working pressure in primary circuit	(bar)	3	3	3	3	3	3
Max. working temperature in secondary circuit	(°C)	90	90	90	90	90	90
Max. working pressure in secondary circuit	(bar)	8	8	8	8	8	8
Weight aprox.	(Kg.)	36	52	65	78	107	151
Heat exchange surface	(m ²)	0.6	1.0	1.2	1.6	2.4	3.1

Dimensions

Models: GI-60...500-D



Dimensions/connections	(Model)	GI-60-D	GI-100-D	GI-150-D	GI-200-D	GI-300-D	GI-500-D
A: External diameter	(mm.)	480	480	620	620	620	770
B: Overall height	(mm.)	749	1154	983	1239	1724	1730
kw: Cold water inlet	("M)	3/4	1	1	1	1	1
ww: Hot water outlet	("M)	3/4	1	1	1	1	1
z: Recirculation	("M)	--	1	1	1	1	1
kv: Primary circuit inlet	("F)	1	1	1-1/2	1-1/2	1-1/2	1-1/2
kr: Primary circuit outlet	("F)	1	1	1-1/2	1-1/2	1-1/2	1-1/2
m: Primary add. connection	("F)	1	1	1-1/2	1-1/2	1-1/2	1-1/2
n: Primary add. connection	("F)	--	--	--	1-1/2	1-1/2	1-1/2
Dimension C	(mm.)	170	170	182	182	182	192
Dimension D	(mm.)	574	979	777	1027	1512	1493
Dimension F	(mm.)	--	--	--	425	665	645
Dimension P	(mm.)	193	193	205	205	205	215

Electric heating

(Electric heating resistances)

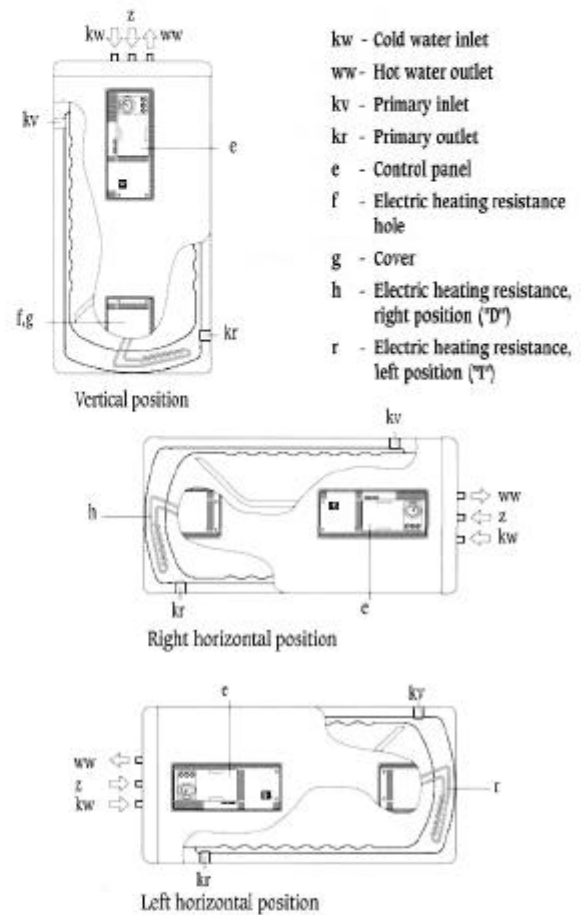
Models: GI-60...500-D

The "D" models are supplied with a "K" type control panel and flanged housing to allow an electric heating element to be fitted.

The heating element is supplied in separate packing with the power cables to connect it to the control panel (see pag 33 to 37).

All of the models with electric heating element can be installed in the vertical position. It must be noted if the heating element is valid for the "right" position (table 1 and 3) or "left" position (table 2) when the tank is installed horizontally.

Position of the electric heating resistance



For vertical and right-horizontal position

Characteristics / Tank Type	GI-60-D	GI-100-D	GI-150-D	GI-200-D	GI-300-D	GI-500-D
Designation	RC 5/15 D	RC 6/22 D	RC 11/22 D	RC 7/25 D	RC 7/25 D	RC 45 D
Power (kW)	1.5	2.2	2.2	2.5	2.5	4.5
Voltage (-V)	230	230	230	230	230	230

For vertical and left-horizontal position

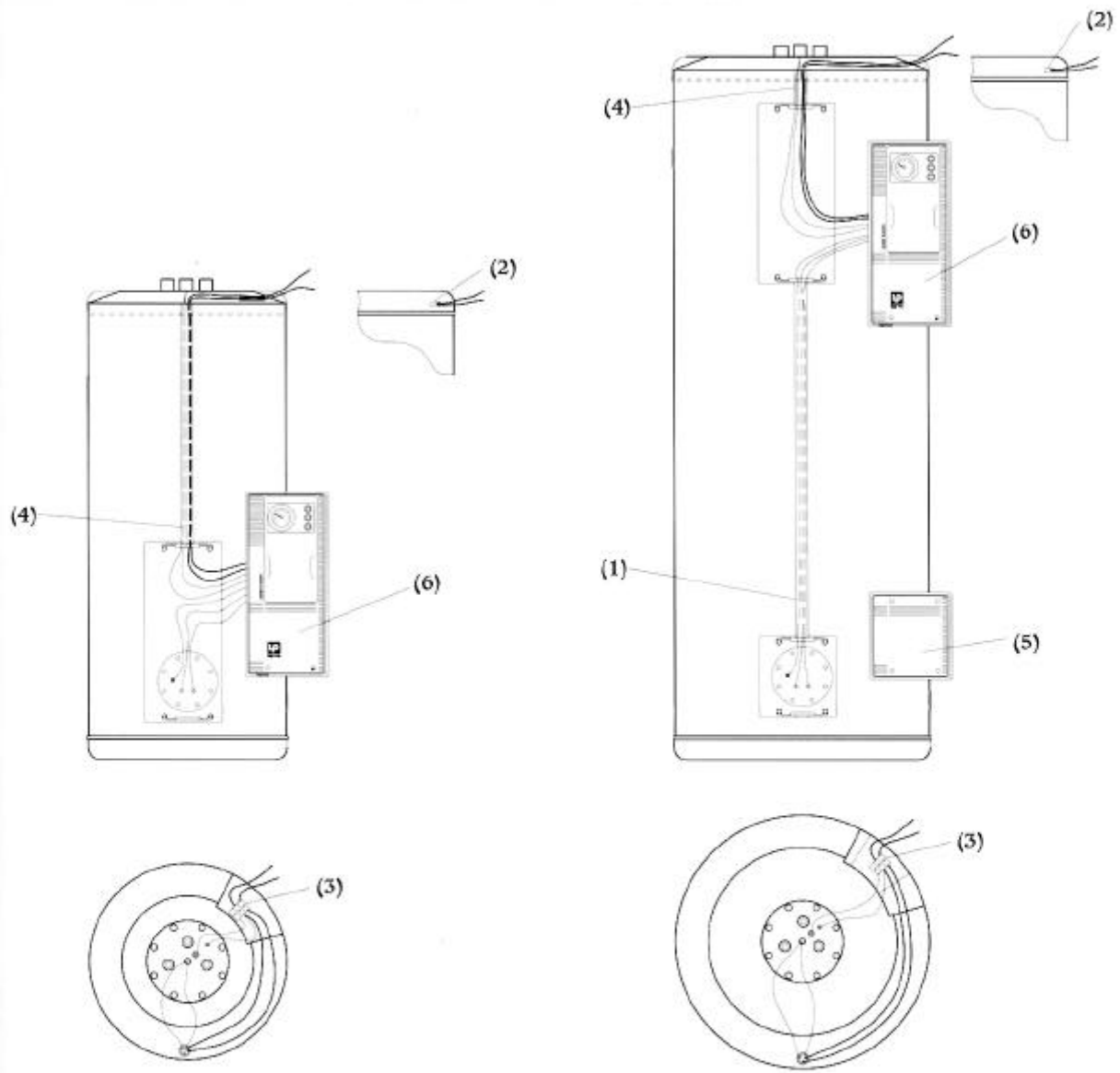
Characteristics / Tank Type	GI-60-D	GI-100-D	GI-150-D	GI-200-D	GI-300-D
Designation	RC 5/15 l	RC 6/22 l	RC 11/22 l	RC 7/25 l	RC 7/25 l
Power (kW)	1.5	2.2	2.2	2.5	2.5
Voltage (-V)	230	230	230	230	230

Optional models for vertical and right-horizontal position (only for Type GI-500-D)

Characteristics / Tank Type	GI-500-D	
Designation	RC 50	RC 75
Power (kW)	5	7.5
Voltage (-V)	380	380

Electrical wiring

Models: GI-60...500-D



Models: GI-60/100/150-D

Models: GI-200/300/500-D

The electric wires are hidden as they are situated inside the insulation.

There is a tube (1) that takes the wires that connect the electric element to the control panel (6). The wires that go from the outside to the control panel are led through the practically invisible opening in the plastic cover (2), they are held in place with the clamp (3) and are connected to the panel through the conduit (4).

Note the minimum wire section.

Both the control panel (6) and the lid (5) which covers the electric element are fastened to the tank by four screws. The top cover fits the tank.

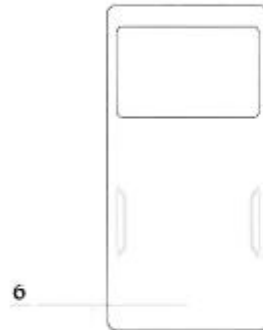
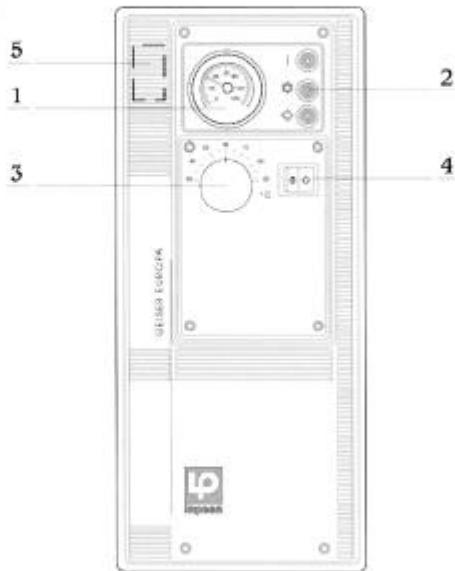
A multipolar tripping device with a gap of 3 mm or more between contacts is required to carry out the installation.

IMPORTANT!!

Before handling connections electrically isolate all equipment.

Control panel, Type "K"

(supplied with tank models GI-60...500-D)



- 1 - Thermometer °C
- 2 - Control lights
- 3 - Regulating thermostat 30-90° C & Safety thermostat (110° C)
- 4 - Summer / winter switch
- 5 - Relay
- 6 - Protection lid

Control panel K: For installations in which the calorifier controls the production of D.H.W., either by a primary circuit of heating (boiler), (☼ position) or by electric heating (☼ position).

